

DATA SHEET



Single Phase Induction Motor - Squirrel Cage

Customer :					
Product line : W22 Single-Phase		Product code : 14043951			
		Catalog # : 00318ES1B184TC-W22			
Frame : 182/4TC Output : 3 HP (2.2 kW) Poles : 4 Frequency : 60 Hz Rated voltage : 115/208-230 V Rated current : 30.2/15.7-15.1 A L. R. Amperes : 208/108-104 A LRC : 6.9x(Code J) No load current : 18.0/7.76-9.00 A Rated speed : 1745 rpm Slip : 3.06 % Rated torque : 9.03 ft.lb Locked rotor torque : 290 % Breakdown torque : 270 % Insulation class : F Service factor : 1.15 Moment of inertia (J) : 0.3735 sq.ft.lb		Locked rotor time : 14s (cold) 8s (hot) Temperature rise : 80 K Duty cycle : Cont.(S1) Ambient temperature : -20°C to +40°C Altitude : 1000 m.a.s.l. Protection degree : IP55 Cooling method : IC411 - TEFC Mounting : F-1 Rotation ¹ : Both (CW and CCW) Noise level ² : 60.0 dB(A) Starting method : Direct On Line Approx. weight ³ : 111 lb			
Output	50%	75%	100%	Foundation loads	
Efficiency (%)	65.0	74.0	77.0	Max. traction : 100 lb	
Power Factor	0.74	0.80	0.82	Max. compression : 211 lb	
		<u>Drive end</u>	<u>Non drive end</u>		
Bearing type	:	6207 ZZ	6206 ZZ		
Sealing	:	V'Ring	V'Ring		
Lubrication interval	:	-	-		
Lubricant amount	:	-	-		
Lubricant type	:	Mobil Polyrex EM			
Notes					
This revision replaces and cancel the previous one, which must be eliminated. (1) Looking the motor from the shaft end. (2) Measured at 1m and with tolerance of +3dB(A). (3) Approximate weight subject to changes after manufacturing process. (4) At 100% of full load.			These are average values based on tests with sinusoidal power supply, subject to the tolerances stipulated in NEMA MG-1.		
Rev.	Changes Summary		Performed	Checked	Date
Performed by					
Checked by				Page	Revision
Date	24/02/2025			1 / 1	

1 2 3 4 5 6

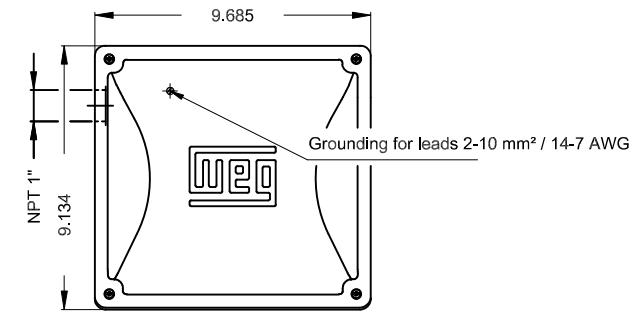
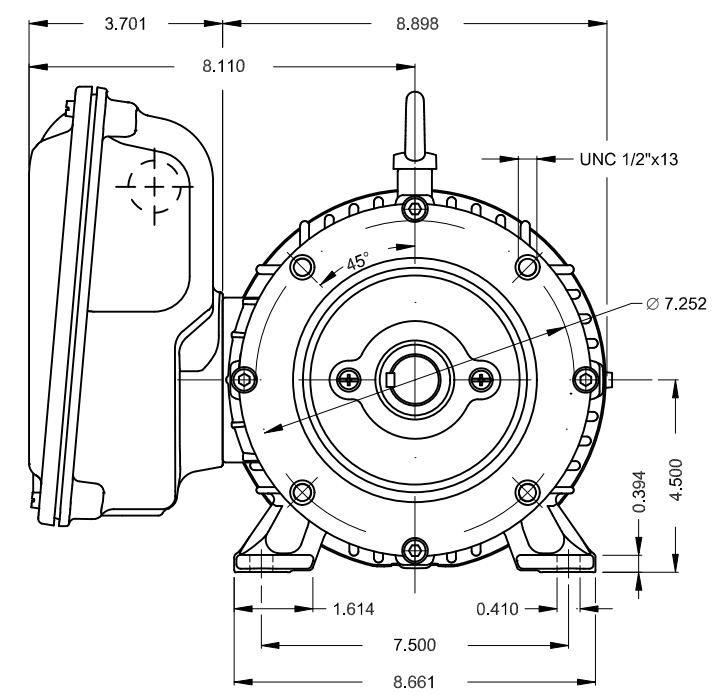
A

B

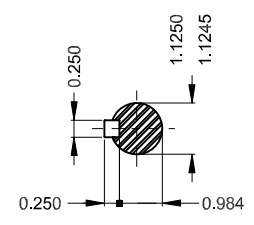
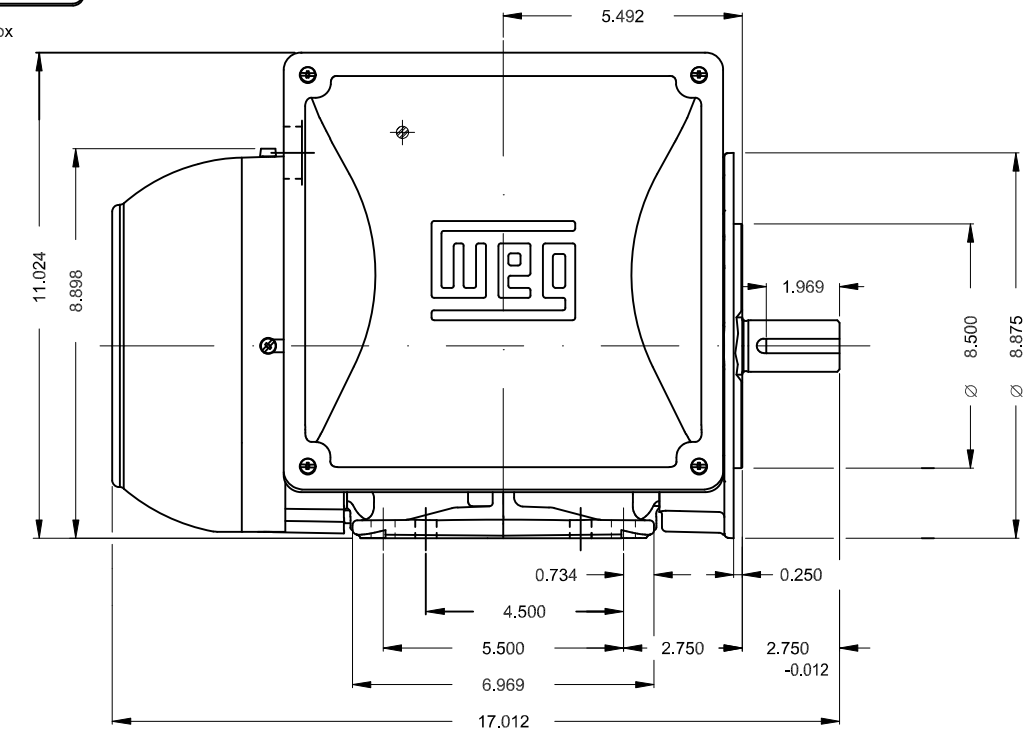
C

D

E



Main terminal box



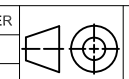
DE Shaft End

Dimensions in Inches

		Bearing	Lubricant
Bearing cap	DE		ZML1
Mounting NEMA F-1	NDE	ZMT2	ZML2
Mounting B34D			
ECM	LOC	SUMMARY OF MODIFICATIONS	
EXECUTED	HYBRISUSER	EXECUTED	CHECKED
CHECKED		RELEASED	DATE
RELEASED			VER
REL. DATE	WMO	Jaragua do Sul	Product Engineering

3 HP 04 Poles 60 Hz

A



SINGLE PH. MOTOR W22
FRAME 182/4TC IP55 TEFC

PREVIEW

WDD 00



SHEET 1 / 1

WEG's property. Forbidden reproduction without previous authorization.

XME A3

- LIN1
- LIN2
- LIN3
- LIN4
- LIN5
- LIN6
- LIN7
- LIN8
- LIN9
- LIN10
- LIN11
- LIN12
- LIN13
- LIN14